

**KEY FEATURES**

- Switching Power Modules for PCB Mounting
- Fully Encapsulated Plastic Case
- Universal Input Range 90-264VAC
- Regulated Output and Low Ripple and Noise
- <0.3W No Load Input Power
- Isolation Class II
- CE, CB, UL, cUL Approvals
- 3-Year Product Warranty



**ELECTRICAL SPECIFICATIONS**

All specifications valid at normal input voltage, full load and +25°C after warm-up time unless otherwise stated.

Model No. ( Single Output )	MSC60-5S	MSC60-9S	MSC60-12S	MSC60-15S	MSC60-24S	
Max output wattage ( W )	51W	60W				
Input	Voltage (Note 1) 90-264 VAC or 120-370 VDC					
	Frequency (Hz) 47-440 Hz					
	Current (Full load) 1.5 A max. (115 VAC) / 1 A max. (230 VAC)					
	Inrush current (<2ms, Cold Start) 55 A max. (115 VAC) / 95 A max. (230 VAC)					
	Leakage Current < 0.1mA / 264 VAC (Touch Current)					
	External fuse (recommend) 3.15A, slow blow type					
Output	Voltage (V.DC.)	5.1V	9V	12V	15V	24V
	Voltage set accuracy	±2%				
	Current (mA) max	10,000	6666	5000	4000	2500
	Maximum Capacitive Load (at 230 VAC)	10000uF	5000uF	5000uF	4000uF	2000uF
	Line regulation (typ.)	0.5%				
	Load regulation (1-100%) (typ.)	1.5%		1%		
	Ripple & Noise (max) (Note 2)	100mV (Vp-p)		1% of Vout		
	Efficiency (at 230 VAC)	86%	87%	88%	86%	87%
Hold-up time	10 ms min.					
Protection	Over current protection	Automatic recovery				
	Over voltage protection	Zener diode clamp				
	Short circuit protection	Automatic recovery				
Isolation	Input-Output (V.AC) 4000V					
Environment	Operating temperature	-40°C...+80°C (with derating)				
	Storage temperature	-40°C...+90°C				
	Max Case Operating Temperature	Under 115 VAC 73°C , others 80°C				
	Temperature coefficient	±0.05%/°C				
	Altitude During Operation	5000m				
	Humidity	up to 95% RH				
	MTBF	200,000 h~400,000 h @ 25°C				
	Atmospheric Pressure	70 kPa to 106 kPa				
Physical	Dimension (L x W x H)	3.5 x 2.5 x 1.06 Inches ( 89.0 x 63.5 x 27.0 mm ) Tolerance ±0.5 mm				
	Case Material	Plastic resin (flammability to UL 94V-0)				
	Weight	260 g				
	Cooling method	Free air convection				

**ELECTRICAL SPECIFICATIONS**

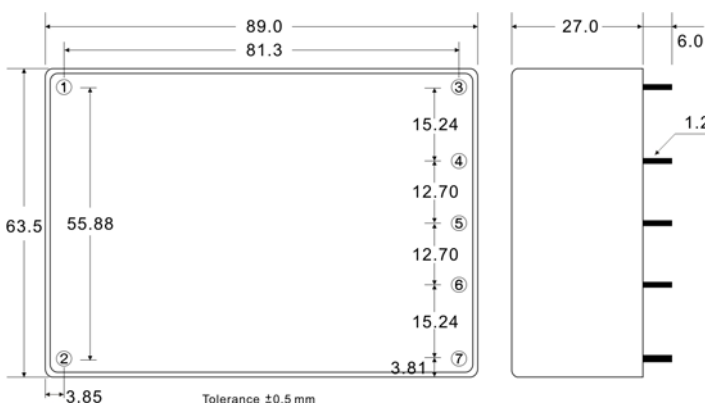
All specifications valid at normal input voltage, full load and +25°C after warm-up time unless otherwise stated.

Model No.	( Single Output )	MSC60-5S	MSC60-9S	MSC60-12S	MSC60-15S	MSC60-24S
Safety	Approval	cUL / UL Standard: UL 60950-1, CAN/CSA C22.2 No. 60950-1-07 ANSI/AAMI ES60601-1 (2005 + C1:09 + A2:10), CAN/CSA-C22.2 No. 60601-1 (2008), 2 x MOPP CB Standard: IEC 60950-1:2005 (2nd Edition) + Am 1:2009 + Am 2:2013 IEC 60601-1:2005 (3rd Edition) + CORR. 1 (2006) + CORR. 2 (2007) + AM1 (2012) or IEC 60601-1 (2012 reprint), 2 x MOPP				
EMC	Conducted and radiated EMI	EN55011 class B (Radiation Class A for MSC60 A2 Series)				
	ESD	EN61000-4-2 air ± 8kV , Contact ± 4kV				
	Radiated Immunity	EN61000-4-3 10V/m				
	Fast Transient	EN61000-4-4 ± 2kV				
	Surge	EN61000-4-5 ±1kV				
	Conducted Immunity	EN61000-4-6 10Vrms				
	PFMF	EN61000-4-8 30A/m				
	Dips	EN61000-4-11 30% 10ms				
	Interruption	EN61000-4-11 >95% 5000ms				

**NOTE**

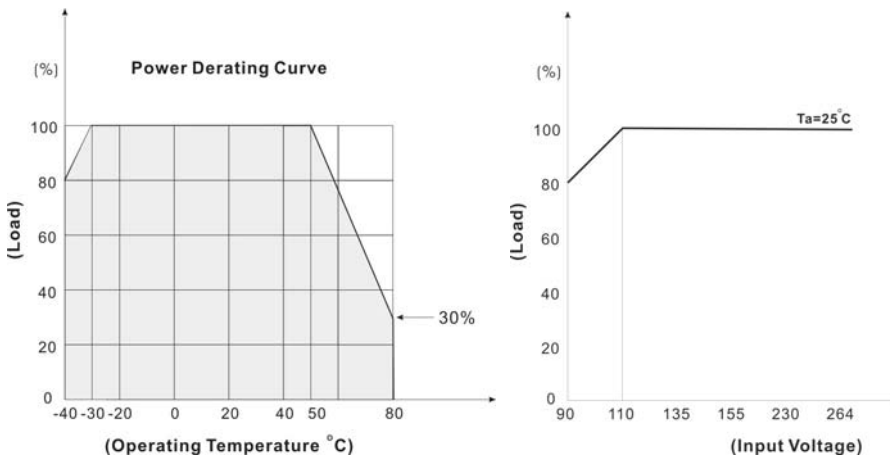
- This product is not designed for use in critical life support systems, equipment used in hazardous environment, nuclear control systems or other such applications which necessitate specific safety and regulatory standards other the ones listed in this datasheet.**
- Ripple & Noise are measured at 20MHz of bandwidth with 0.1uF & 47uF parallel capacitor.
- Safety approvals cover frequency 47-63 Hz.
- That "natural convection" is about 20LFM but is not equal to still air (0 LFM).
- It's recommended to add Varistor 14S471K at L / N input side in parallel.
- Please refer to our PDF file "AC-DC Application" on our website: [www.archcorp.com.tw](http://www.archcorp.com.tw)

**MECHANICAL DIMENSION ( Top View )**



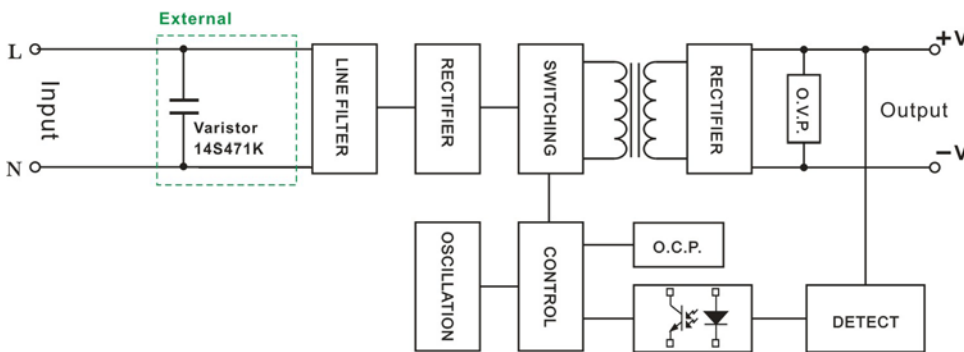
PIN#	Single
1	AC IN (L)
2	AC IN (N)
3	+DC OUT
4	NO PIN
5	-DC OUT
6	NO PIN
7	NO PIN

**DERATING**



**BLOCK DIAGRAM**

Single Output



SCREW TERMINAL

MSC60-A2



PIN#	Single
1	NO CONNECT
2	AC IN (L)
3	AC IN (N)
4	+DC OUT
5	NO CONNECT
6	-DC OUT
7	NO CONNECT
8	NO CONNECT

