



LN10005

Low-Noise 8W DUAL DC/DC CONVERTER

$9-18V_{IN}$, $+5V_{OUT}@1.2A$, $+3.3V_{OUT}@0.6A$

US Patent 5,777,519

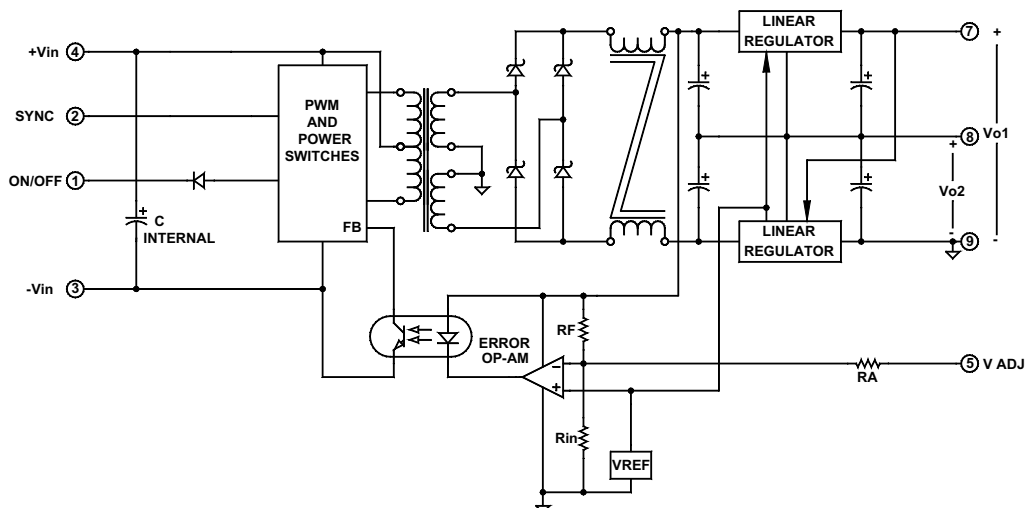
Key Features

- Wide input voltage range (2:1)
- Less than 5mV output noise
- Six-sided shielding
- Soft start
- Dual output
- Short circuit protection
- Adjustable output
- 750 μ A off state current
- 250mV dropout linear regulators
- Dual output tracking linear regulator
- 5 μ S transient response
- Industry pinouts



Functional Description

The LN10005 is an 8W dual positive, isolated DC/DC converter that accepts $9V_{IN}$ to $18V_{IN}$ and provides $+5V_{OUT}@1.2A$ and $+3.3V_{OUT}@0.6A$. The converter's design is based on Beta Dyne's patents and offers low noise and an operating temperature range from $-40^{\circ}C$ to $+70^{\circ}C$.



Typical Block Diagram of Dual Output Converter

Electrical Specifications

INPUT SPECIFICATIONS

Unless otherwise specified, all parameters are given under typical +25°C with nominal input voltage and under full output load conditions.

PARAMETER	CONDITION / NOTE	MIN	TYP	MAX	UNIT
Input Voltage Range		9	12	18	Vdc
No Load Input Current			40		mA
Full Load Input Current	V = 12V@FL		1.02		A
Input Filter	C				
Reverse Polarity Input Current	External series-blocking diode			12	A
Input Surge Current (20µs Spike)				10	A
Short Circuit Current Limit			150		% I _{IN}
Undervoltage Shutdown		4.5			Vdc
Off State Current			750		µA
Remote ON/OFF Control					
Converter ON	Open (Open circuit voltage at Pin 1: 10V Max.)				
Converter OFF		-0.6	0	0.2	Vdc
Logic Input Reference	-Input				
Logic Compatibility	TTL Open Collector or CMOS Open Drain				

OUTPUT SPECIFICATIONS

PARAMETER	CONDITION / NOTE	MIN	TYP	MAX	UNIT
Output Voltage, V _{O1}	Pin 7 = +5Vdc, Pin 9 = Output Ground		5		Vdc
Output Voltage, V _{O2}	Pin 8 = +3.3Vdc, Pin 9 = Output Ground		3.3		Vdc
Output Voltage Accuracy			±1	±1.5	%
Output Voltage Adjustment	Reference to Pin 8		3	±5	%
Output Current, V _{O1}			1.2		A
Output Current, V _{O2}			600		mA
Minimum Load	Not required				
Ripple & Noise	See Figure 3		10	20	mV _{pp}
Line Regulation	Minimum V _{IN} to maximum V _{IN}		0.05	0.1	%
Load Regulation			±1		%
Temperature Coefficient @ FL			0.02		%/°C of V _{OUT}
Transient Response Time (to within 0.5% of V _{OUT})	50% FL to FL to 50% FL, See Figure 1		5		µS
Short Circuit Protection	All outputs, by input current limiting				

GENERAL SPECIFICATIONS

PARAMETER	CONDITION / NOTE	MIN	TYP	MAX	UNIT
Efficiency	V = 12V		68		%
Isolation Voltage (1 min.)			1500		Vdc
Isolation Resistance			10 ⁹		Ω
Isolation Capacitance			80		pF
Switching Frequency		300	320	333	kHz

ENVIRONMENTAL SPECIFICATIONS

PARAMETER	CONDITION / NOTE	MIN	TYP	MAX	UNIT
Operating Temperature		-40		+70	°C
Storage Temperature Range		-55		+125	°C
Thermal Resistance			3.5	4	°C/W _{DISS}
Maximum Operating Case Temperature				105	°C
Humidity	Up to 95% non-condensing				
Cooling	Free-air convection				
EMI/RFI	Six-sided continuous shielded metal case				
MTBF	per MIL-HNBK-217F (Ground benign, +25°C)		1×10 ⁶		hours

PHYSICAL CHARACTERISTICS

PARAMETER	CONDITION / NOTE	MIN	TYP	MAX	UNIT
Dimensions (L×W×H)	2.00×1.00×0.395 in. (50.80×25.40×10.03mm)				
Weight	1.04 oz. (30g)				
Case Material	Coated metal				
Shielding Connection	-Input (Pin 3)				

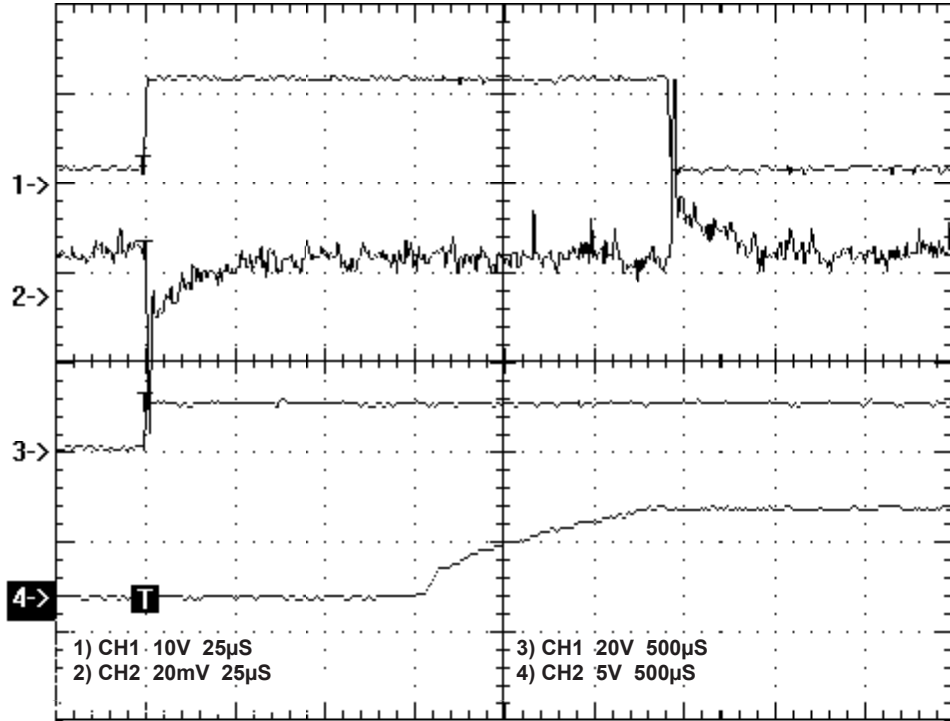


FIGURE 1. Transient response and turn on delay with soft start

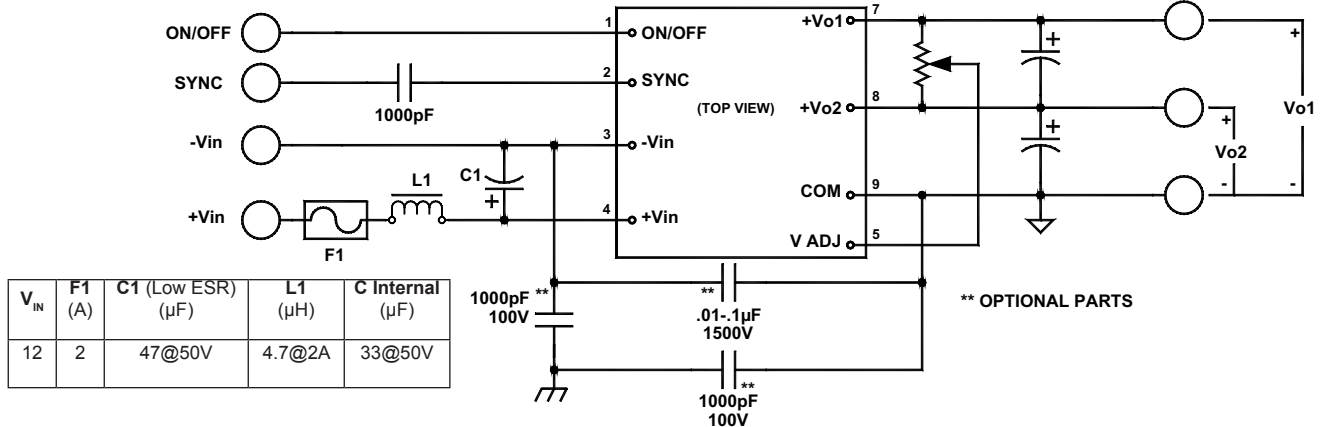
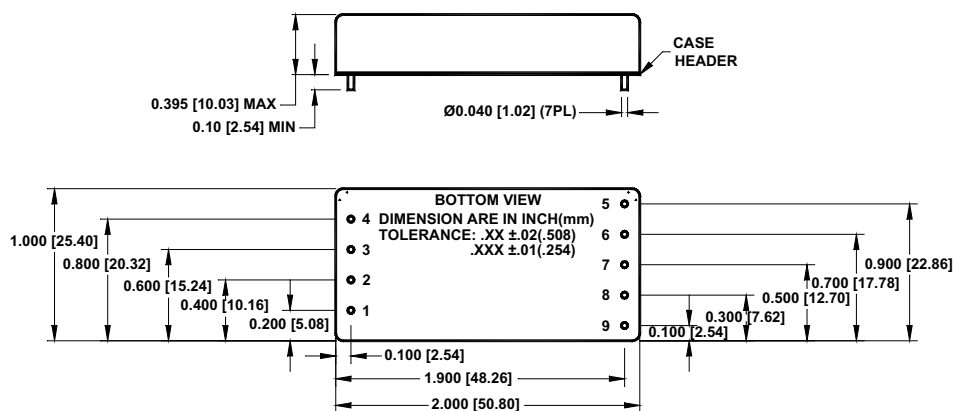


FIGURE 2. Typical connection diagram of Low-Noise 10W Dual DC/DC Converter

MECHANICAL SPECIFICATIONS



Pin	Function
	DUAL
1	ON/OFF
2	SYNC
3	-V _{IN}
4	+V _{IN}
5	V _{OUT} ADJ
6	No Pin
7	+5V (V _{O1})
8	+3.3V (V _{O2})
9	OUTPUT GND

OUTPUT VOLTAGE ADJUSTMENT

For both single and dual models, the output reference voltage is referenced to the output ground: Pin 6 for singles and Pin 8 for duals. To trim the output voltage high, connect a 1% resistor (0kΩ–200kΩ range) between -V_{OUT} (Pin 6) and V_{OUT} Adjust (Pin 9) for the singles, and COM (Pin 8) and V_{OUT} Adjust (Pin 5) for the duals. To trim the output voltage low, connect a 1% resistor (50kΩ–500kΩ range) between +V_{OUT} (Pin 5) and V_{OUT} Adjust (Pin 9) for the singles,

and +V_{OUT} (Pin 7) and V_{OUT} Adjust (Pin 5) for the duals.

With the wiper connected to the V_{OUT} Adjust pin, a variable resistor (potentiometer) can also be used for V_{OUT} adjustment by connecting each end to +V_{OUT} and -V_{OUT} for the singles, and +V_{OUT} and COM for the duals. A potentiometer between 50kΩ–100kΩ can be used. Avoid using a low resistance potentiometer or a high temperature coefficient such as wound wire.

EXTERNAL SYNCHRONIZATION

This series of converters can be synchronized to an external system clock of 320kHz -2% to 10%. The external clock is AC-coupled to the input SYNC terminal (Pin 2) through a coupling capacitor

from 220pF to 1000pF. The required amplitude is 3.3V to 5V and its duty cycle is 50% ±20%. Please refer to *Application Note DC-005: Synchronization* for more information.