



PRELIMINARY

# Q25005

## 24W DC/DC CONVERTER

22-26Vin, +/-15Vout@+/-1000mA

### Key Features

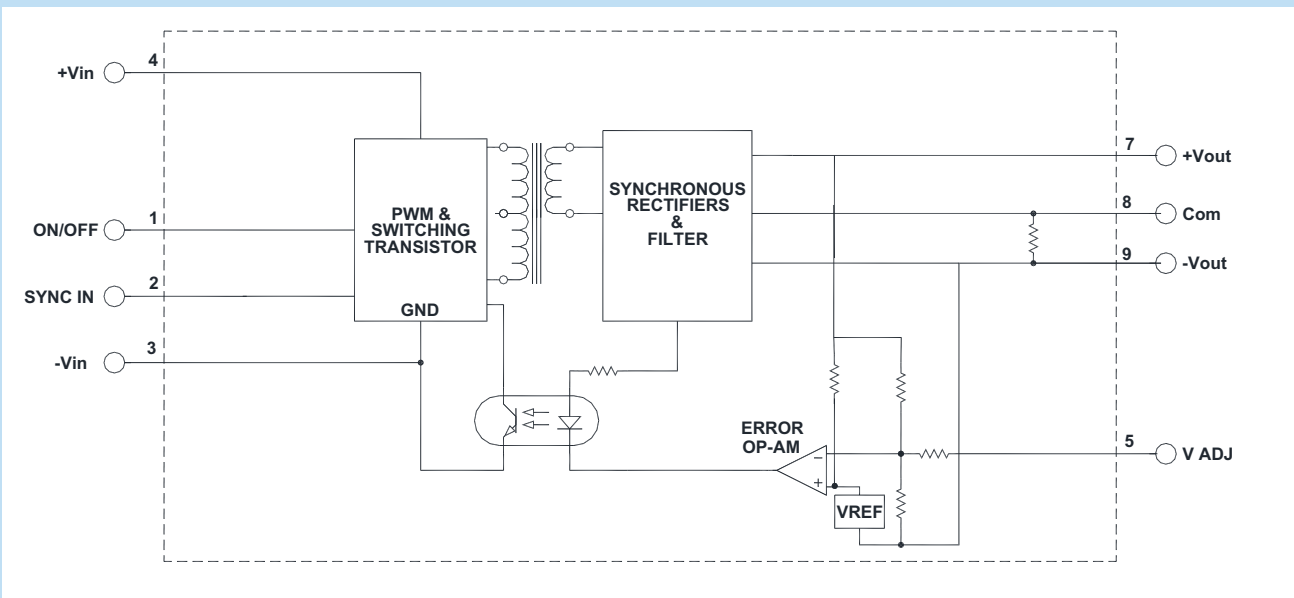
- Efficiency 89%
- Low output noise
- Six-sided shielding
- Input-to-output isolation
- Soft start
- External synchronization
- Short circuit protection
- Thermal protection
- Industry standard pinout



Beta Dyne is protected under various patents, including but not limited to U.S. Patent numbers: 5,777,519; 6,188,276; 6,262,901; 6,452,818; 6,473,3171.

### Functional Description

The Q25005 DC/DC converter has an input range of 22-26Vin and provides +/-15Vout at +/-1000mA. The converter is designed to synchronize to an external clock of 400kHz.



Typical Block Diagram

## Electrical Specifications

### INPUT SPECIFICATIONS

PARAMETER	CONDITION / NOTE	MIN	TYP	MAX	UNIT
Input Voltage Range		22	24	26	Vdc
Input Startup Voltage		20		9	Vdc
Input Overvoltage Shutdown $24 V_{IN}$		27			Vdc
Input Filter	Capacitor				
No Load Input Current			32		mA
Full Load Input Current			1399		mA
Input Surge Current (20 $\mu$ S Spike)				10	A
Off State Current			2.7		mA
Remote ON/OFF Control					
Supply ON	Pin 3 Open (Open circuit voltage: 10V Max.)				
Supply OFF		0		0.6	Vdc
Logic Input Reference	-Vin				
Logic Compatability	TTL Open Collector or CMOS Open Drain				

### OUTPUT SPECIFICATIONS

PARAMETER	CONDITION / NOTE	MIN	TYP	MAX	UNIT
Voltage			+/-15		Vdc
Output Voltage Accuracy	With balanced loads		1		%
Output Current			+/-1000		mA
Output Voltage Adjustment			$\pm 5$	$\pm 10$	%
Ripple & Noise	For further reduction see Figure 1		20		mV
Line Regulation	Minimum $V_{IN}$ to maximum $V_{IN}$		$\pm 1$		%
Load Regulation	10% to FL, with balanced loads		$\pm 1$		%
Temperature Coefficient @ FL			.01	.02	%/ $^{\circ}$ C
Transient Response Time	50% FL to FL to 50% FL, within 1% of Vo, See Figure 6	100			$\mu$ S
Short Circuit Protection	By Hiccup Technique				
Output Overvoltage Protection	None				

### GENERAL SPECIFICATIONS

PARAMETER	CONDITION / NOTE	MIN	TYP	MAX	UNIT
Efficiency (at full power)			89		%
Isolation Voltage (1 min.), Input to Output			1500		Vdc
Isolation Resistance			$10^9$		$\Omega$
Isolation Capacitance			300		pF
Switching Frequency (FC)			375		kHz
External Sync Frequency (Fe)	See Figure 7 & 8		400		kHz

### PHYSICAL CHARACTERISTICS

PARAMETER	CONDITION / NOTE	MIN	TYP	MAX	UNIT
Dimensions (LxWxH)	2.00x1.00x0.450 in. (50.80x25.40x11.43mm)				
Weight	1.3 oz. (37g)				

### ENVIRONMENTAL SPECIFICATIONS

PARAMETER	CONDITION / NOTE	MIN	TYP	MAX	UNIT
Operating Temperature Range (Ambient)	Industrial, See Note 2	-40		+71	$^{\circ}$ C
Storage Temperature Range		-55		+125	$^{\circ}$ C
Maximum Operating Case Temperature				110	
MTBF	Per MIL-HNBK-217F(Ground benign, +25 $^{\circ}$ C)		$1.1 \times 10^6$		hours
Shielding Connection	-Vin for 24Vin				

- <sup>1</sup> When converter enters thermal protection on mode, its duty cycle is reduced momentarily and will resume after its internal temperature (pwm) drops down a few degrees (°C). The converter's output behaves similar to hiccup short circuit mode.
- <sup>2</sup> Contact factory for -55° to +85°C operating temperature range.
- <sup>3</sup> The maximum input current at any given input range measured at minimum input voltage is given as  $1.6 \cdot I_{NOMINAL}$ . Nominal input current is the typical value measured at the input of the converter under full-load room temperature and nominal input voltage ( $24V_{IN}$ ).
- <sup>4</sup> Adequate insulation is to be provided to the converters at the end usage as per applicable requirements.
- <sup>5</sup> Temperature rise on the case of the converters is to be considered during the end usage as per applicable requirements.

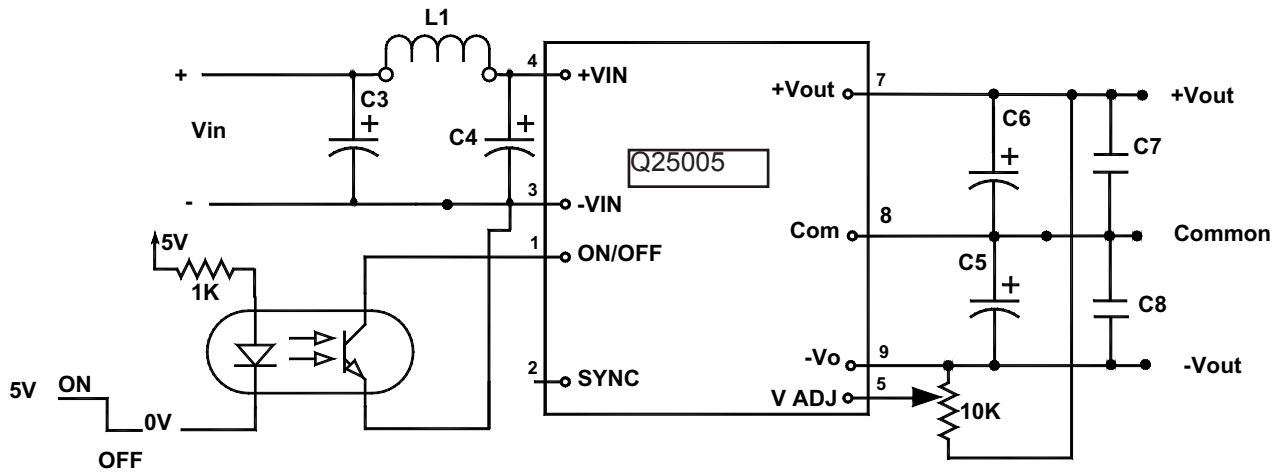


FIGURE 1. Typical connection diagram for Q25005

Part list for Figure 1:

L1= 2.2 $\mu$ H

C3= 47 $\mu$ F@50V Electrolytic

C4=47 $\mu$ F@50V Electrolytic

C7,C8= 10 $\mu$ F Ceramic Capacitors, required to meet Figure 2.

C5,C6=1 $\mu$ F@25V Ceramic, required to meet Figure 2.

C9,C10= 180 $\mu$ F@16V Low ESR Capacitors from Nippon Chemi-Con, optional for 10mV ripple install C9&C10, see Figure 3.

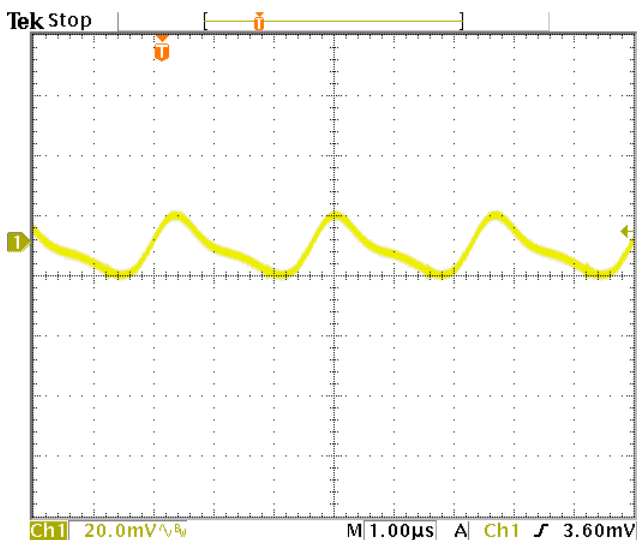


FIGURE 2: Typical output ripple of Q25005 on +Vout as shown in Figure 1.

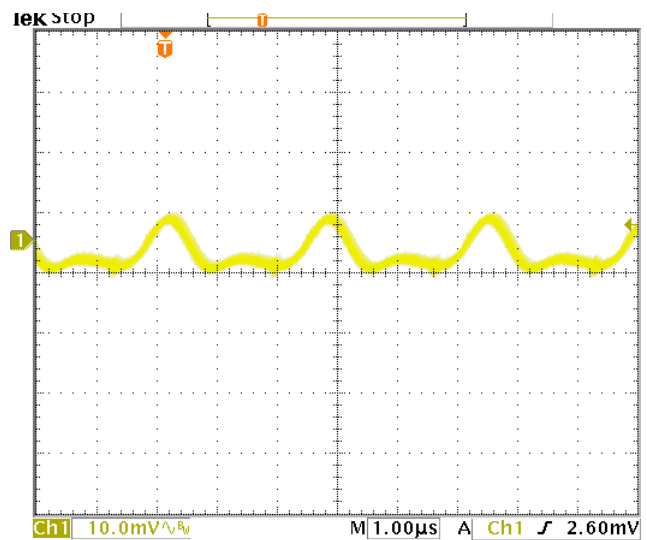


FIGURE 3: Typical output ripple of Q25005 on +Vout with another external cap of Nippon Chemi-Con 180 $\mu$ F@16V on the +Vout. The part number is 16PS180MH11.

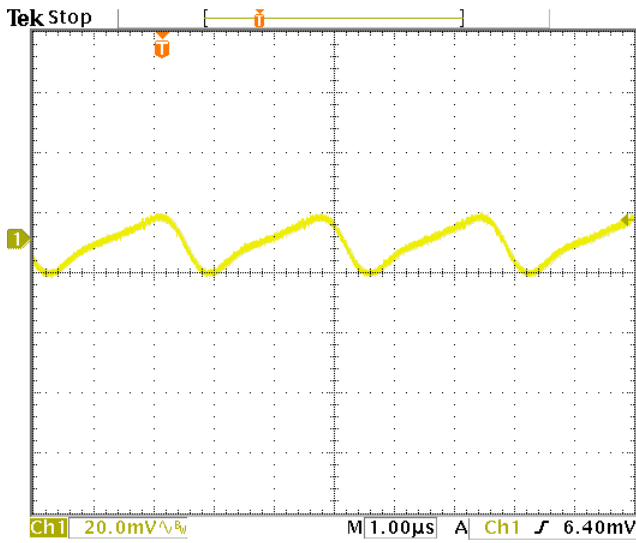


FIGURE 4: Typical output ripple of Q25005 on -Vout as shown in Figure 1.

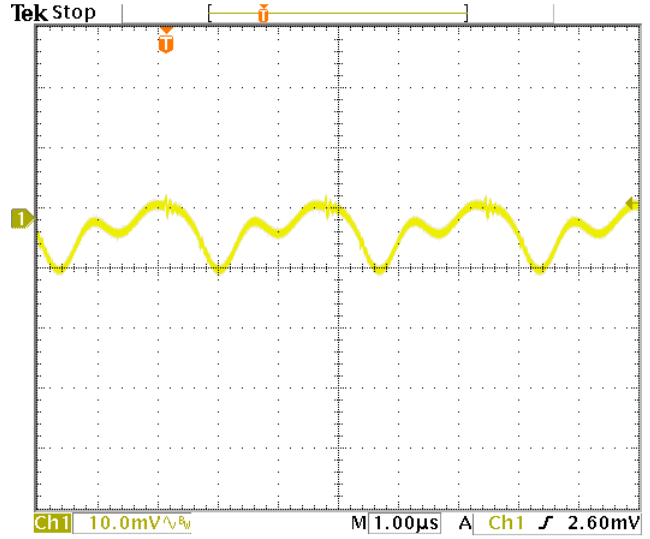


FIGURE 5: Typical output ripple of Q25005 on -Vout with another external cap of Nippon Chemi-Con 180µF@16V on the +Vout. The part number is 16PS180MH11.

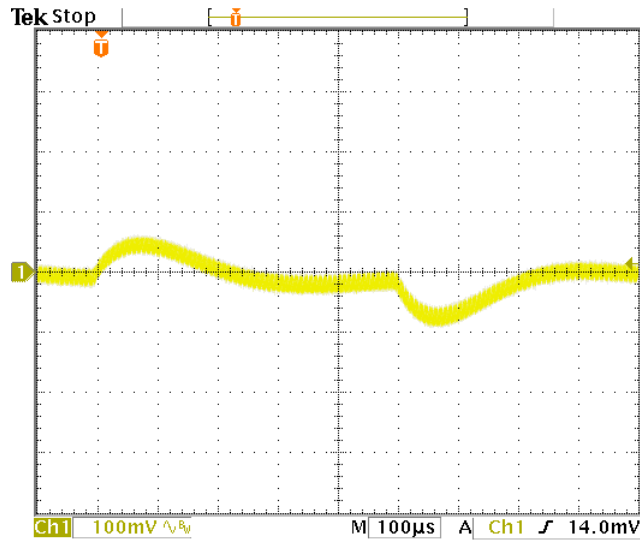


FIGURE 6. Typical transient Response at Vin=24, Iout changing from Full Load to Half load on a Q25005.

V <sub>IN</sub> (V)	V <sub>OUT</sub> (V)	I <sub>OUT</sub> (A)	Capacitive Loading(µF)
22	+/-15	+/-1	880
24	+/-15	+/-1	880
26	+/-15	+/-1	880
22	30	1	440
24	30	1	440
26	30	1	440

Table 1. When using units as a dual model, the capacitive loading is across each individual outputs.  
When used as a single output, the capacitive load is across +Vout to the -Vout.

**EXTERNAL SYNCHRONIZATION**

The SYNC pin can be used to synchronize the internal oscillator to external clock. An open drain output is the recommended interface between the external clock to the Q25 SYNC pin as shown in figure 7. The clock pulse width must be greater than 15ns. The external clock frequency must be greater than the frequency of the Q25.

Multiple Q25 converters can be synchronized together simply by connecting the converters SYNC pins together as shown in figure 8. Care should be taken to ensure the ground potential differences between the converters are minimized. In this configuration all the converters will be synchronized to the highest frequency device. The SYNC pin is a CMOS buffer with pull-up current limited to 200micro amps. If the external device forces the SYNC pin low before the internal oscillator ramp completes its charging cycle, the ramp will reset and another cycle begins. If the SYNC pins of multiple Q25 converters are connected together, the first SYNC pin that pulls low will reset the oscillator ramp of all the other converters. All converters will operate in phase when synchronized using the SYNC feature. Up to five devices can be synchronized using this method.

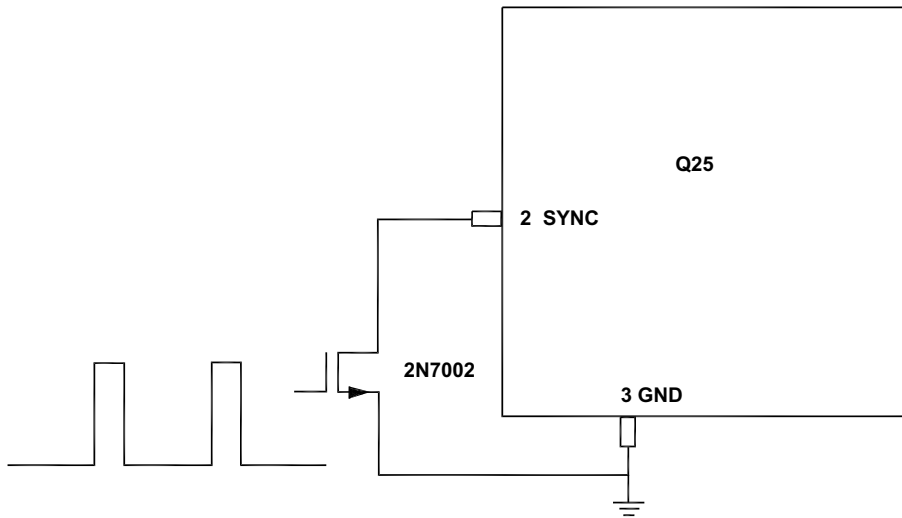


FIGURE 7. SYNC from external clock

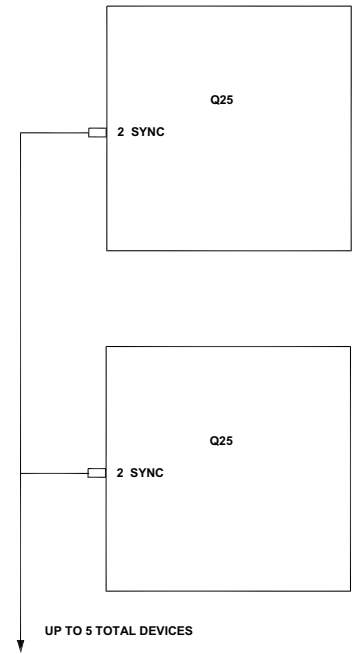
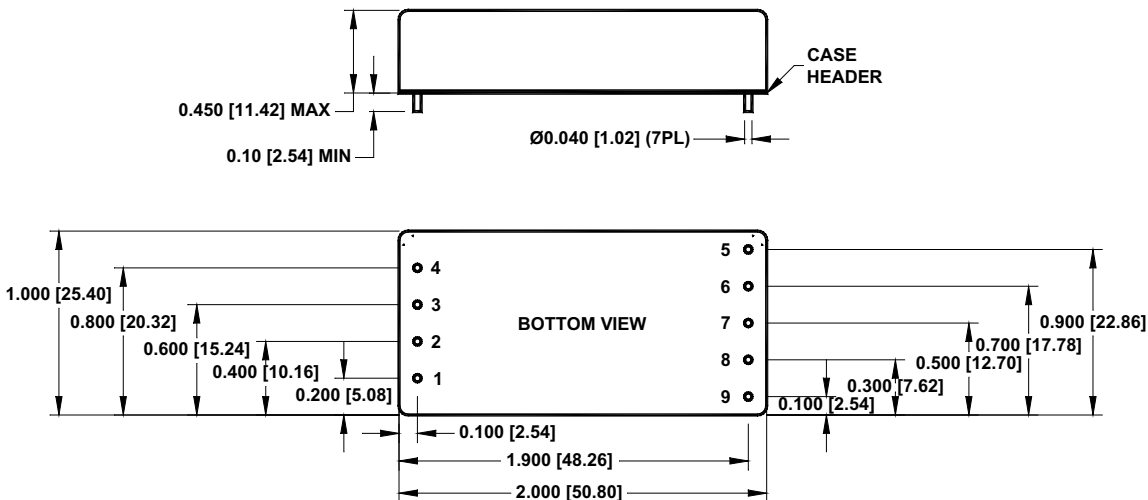


FIGURE 8. SYNC of multiple devices

DIMENSION ARE IN INCH(mm)  
TOLERANCE: .XX ±.02(.508)  
.XXX ±.01(.254)

**MECHANICAL SPECIFICATIONS**



Pin	Function
<b>DUAL</b>	
<b>INPUT</b>	
1	ON/OFF
2	SYNC IN
3	-V <sub>IN</sub>
4	+V <sub>IN</sub>
<b>OUTPUT</b>	
5	V <sub>ADJ</sub>
6	No Pin
7	+V <sub>OUT</sub>
8	Common
9	-V <sub>OUT</sub>